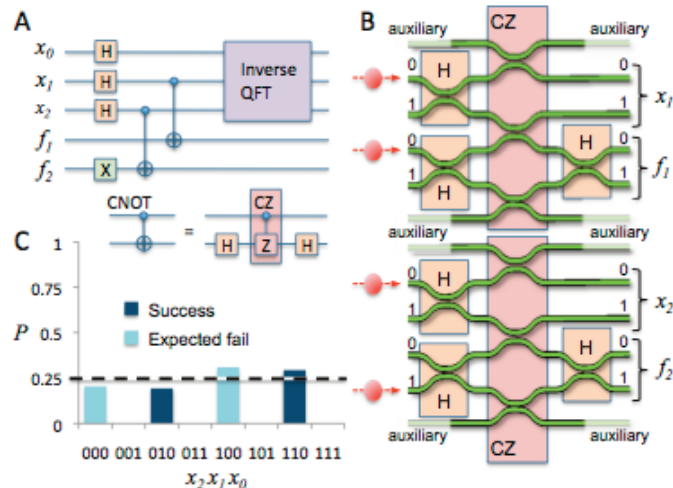


Experimental Realisation of Shor's Quantum Factoring Algorithm in the context of Quantum Photonics



Enrique Martín López

Quantum Photonics Group
University of Bristol, UK